

Kidde Fire Systems

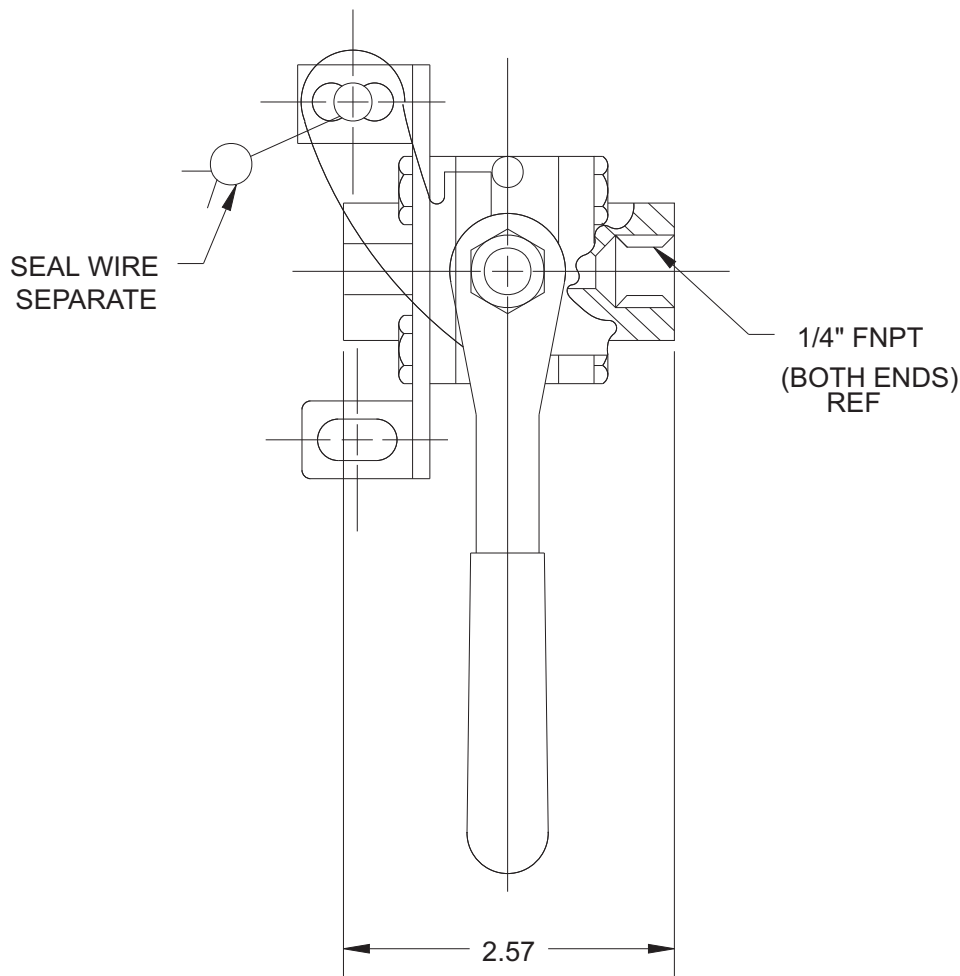
HPCO2 Component Description



Ball Valve, 1/4 inch

Effective: April 2022
K-81-5060 Rev AC

P/N: WK-283888-000



MATERIALS

- Body: Stainless Steel, Type 316

SPECIFICATIONS

- Operating Pressure: 3000 psig @ 170°F (77°C)
- Minimum Bursting Pressure: 10000 psi (680 BAR)

EXPORT INFORMATION (USA)

Jurisdiction: EAR

Classification: EAR99

This document contains technical data subject to the EAR.

All trademarks are the property of their respective owners.

©2022 Carrier

This literature is provided for informational purposes only. KIDDE-FENWAL, INC. believes this data to be accurate, but it is published and presented without any guarantee or warranty whatsoever. KIDDE-FENWAL, INC. assumes no responsibility for the product's suitability for a particular application. The fire suppression system design, installation, maintenance, service and troubleshooting must be performed by trained, authorized Kidde Fire Systems distributors for the product to work correctly. If you need more information on this product, or if you have a particular problem or question, contact KIDDE-FENWAL, INC., Ashland, MA 01721 USA. Telephone: (508) 881-2000.

Kidde Fire Systems
400 Main Street
Ashland, MA 01721
Ph: 508.881.2000
Fax: 508.881.8920
kiddefiresystems.com